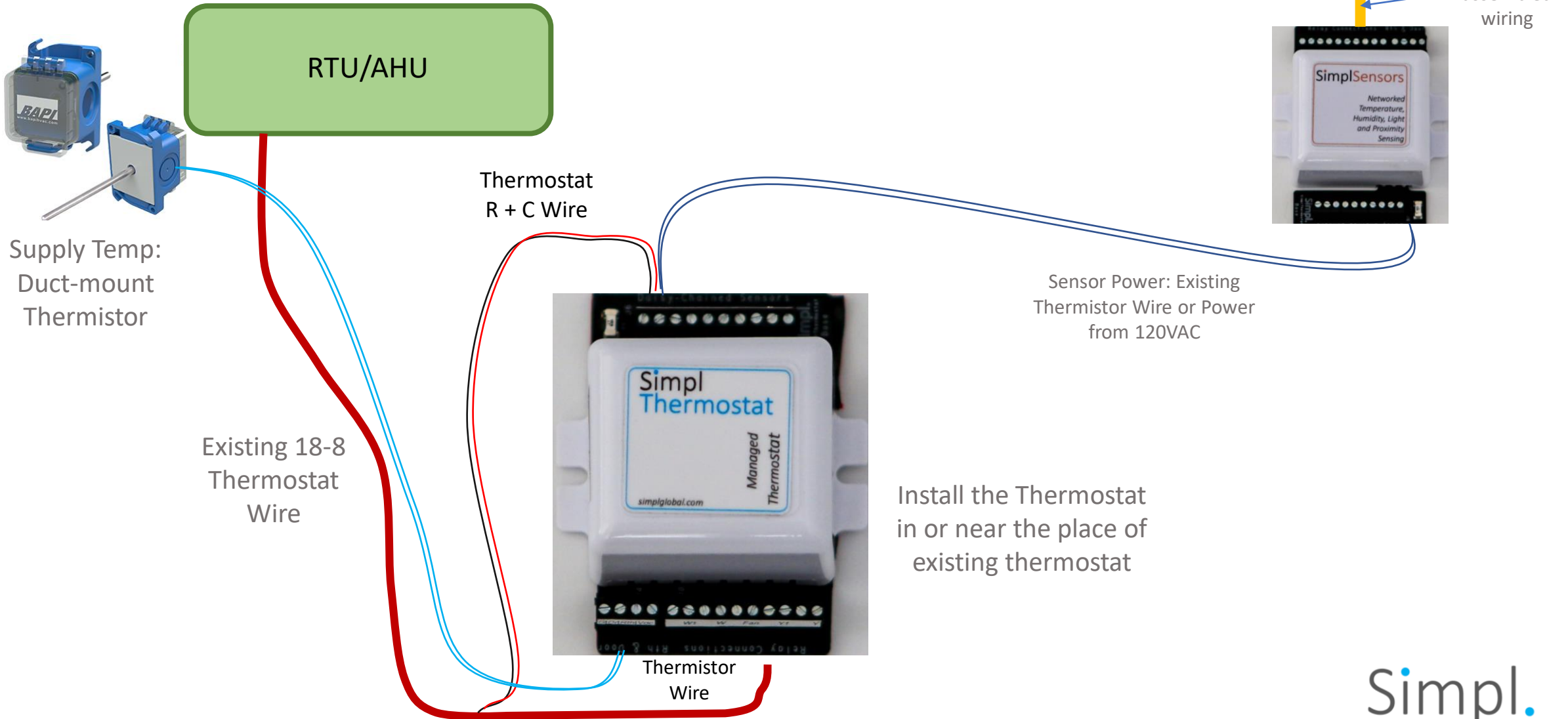


SimplThermostat

Installation Options

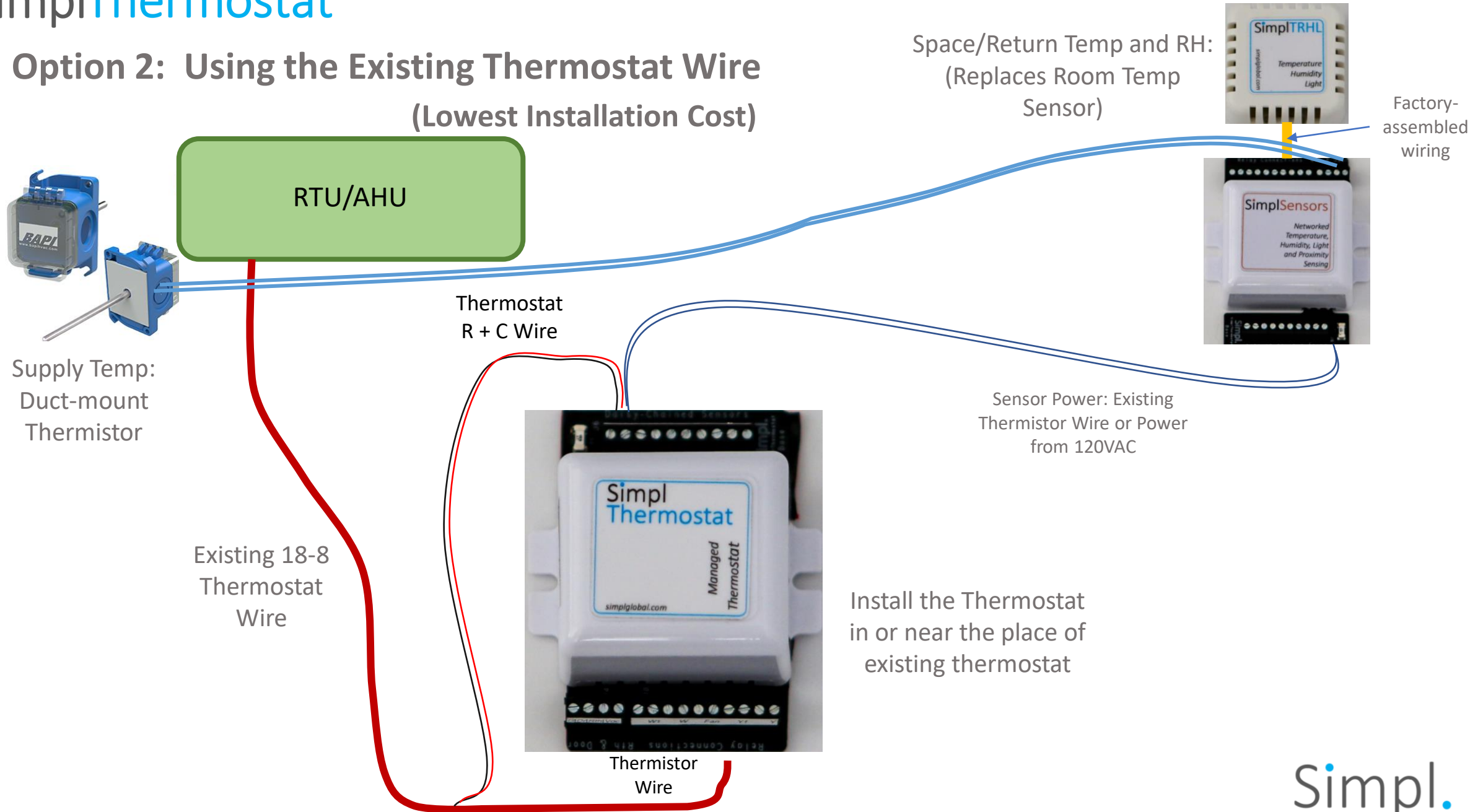
SimplThermostat

Option 1: Using the Existing Thermostat Wire (Lowest Installation Cost)



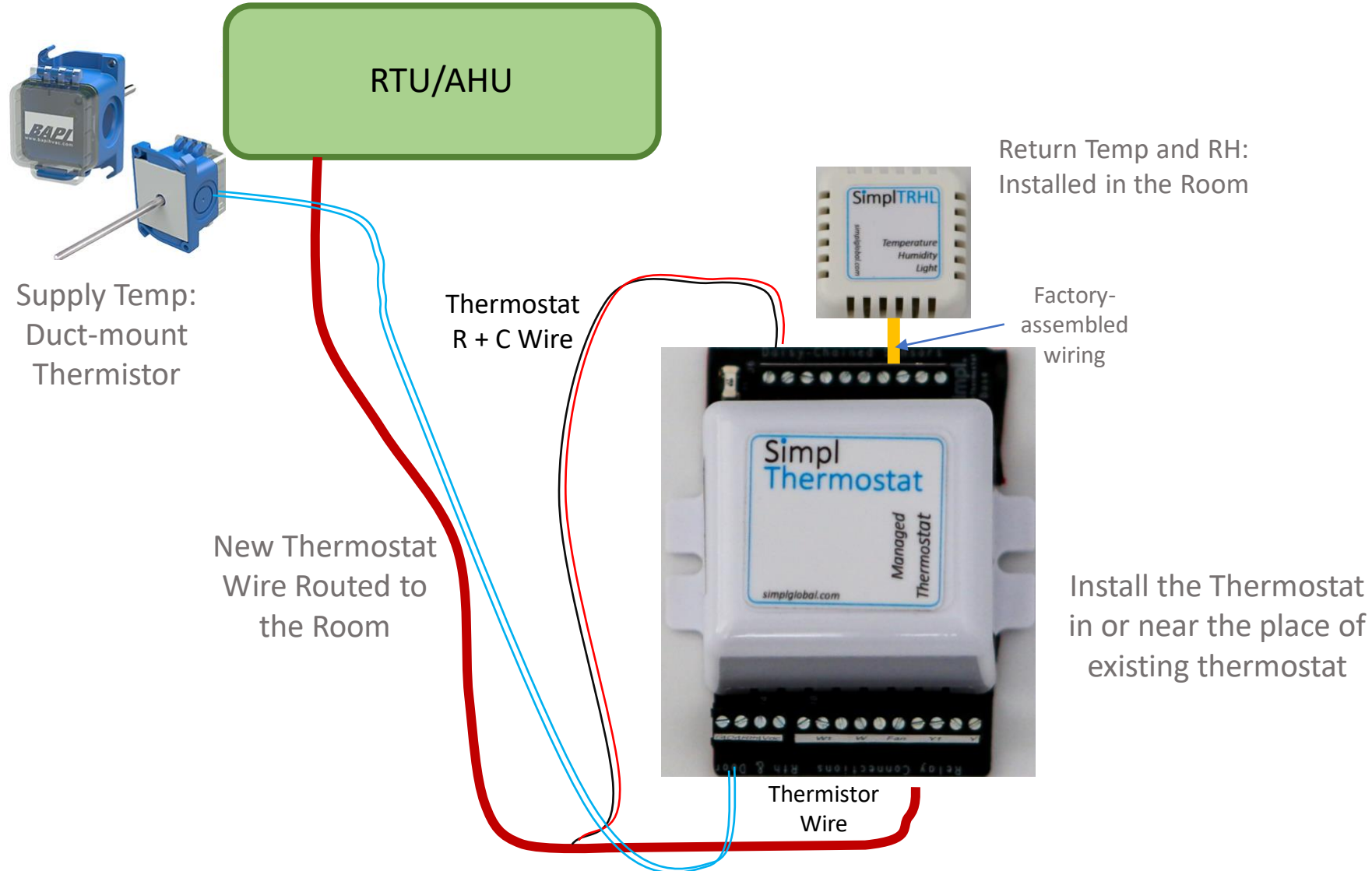
SimplThermostat

Option 2: Using the Existing Thermostat Wire (Lowest Installation Cost)



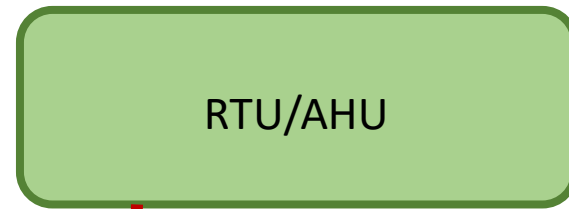
SimplThermostat

Option 3: Using New Thermostat Wires (Lowest Product Cost)



SimplThermostat

Option 4: Install Thermostat Adjacent to RTU (Low Installation Cost and Highest Accuracy)



New 18-7
Thermostat
Wire Routed
to the
Thermostat

Thermostat
R + C Wire



Supply
Temp
Sensor

Return
Temp
Sensor

Up to Four
Sensors

Hub & Spoke
configuration

Solid-core 24
AWG
Cat5 is
recommended

Supply
Temp
Sensor

Daisy-chain
configuration

Return
Temp
Sensor

Up to Four
Sensors

Install the Thermostat
Adjacent to the RTU