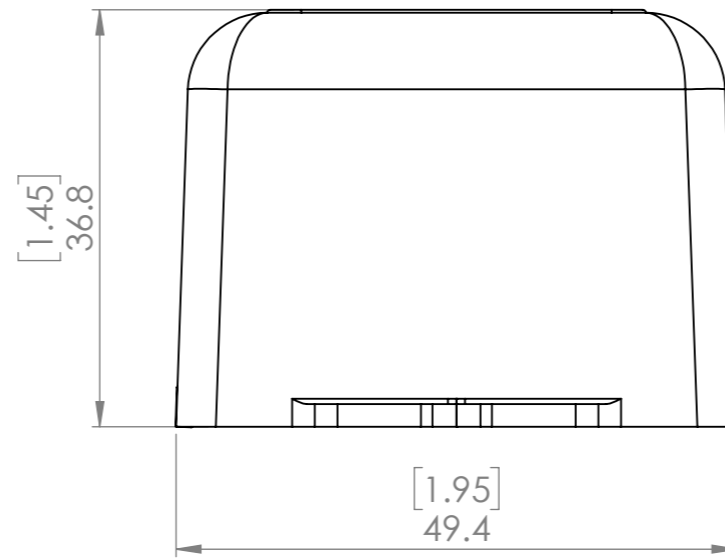
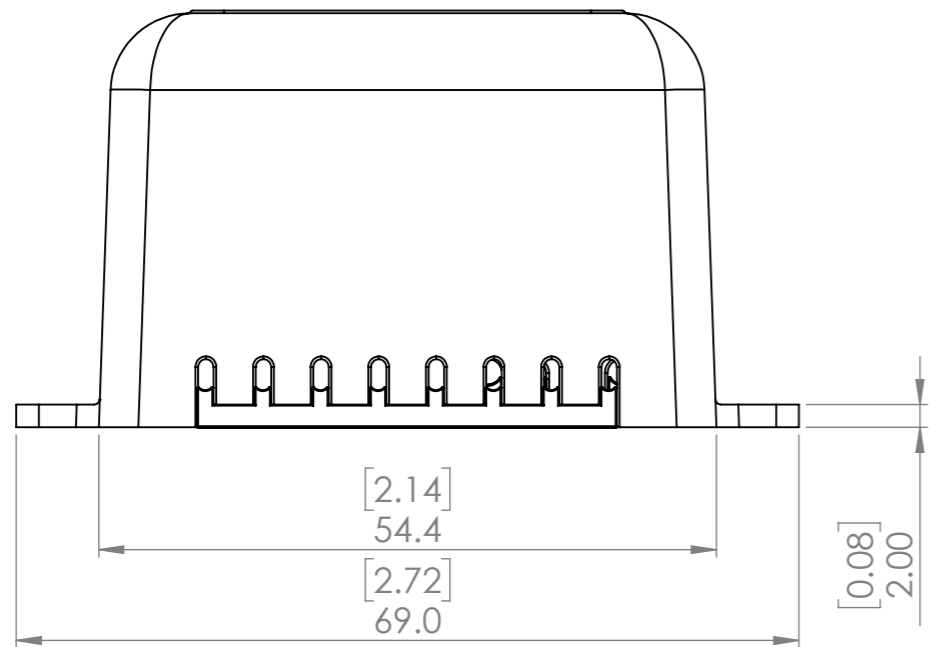
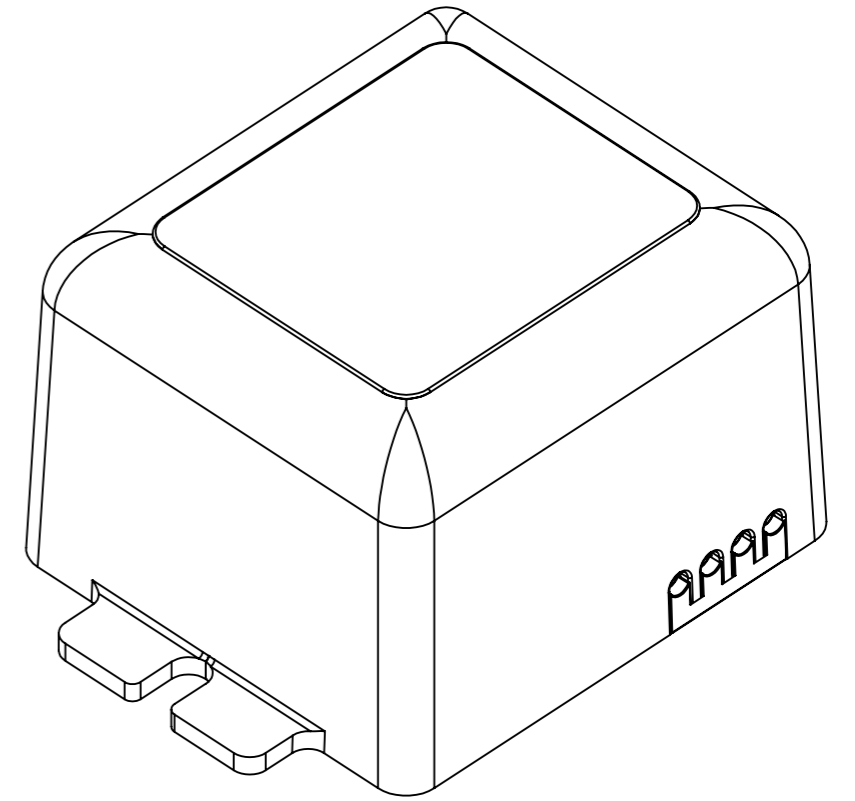
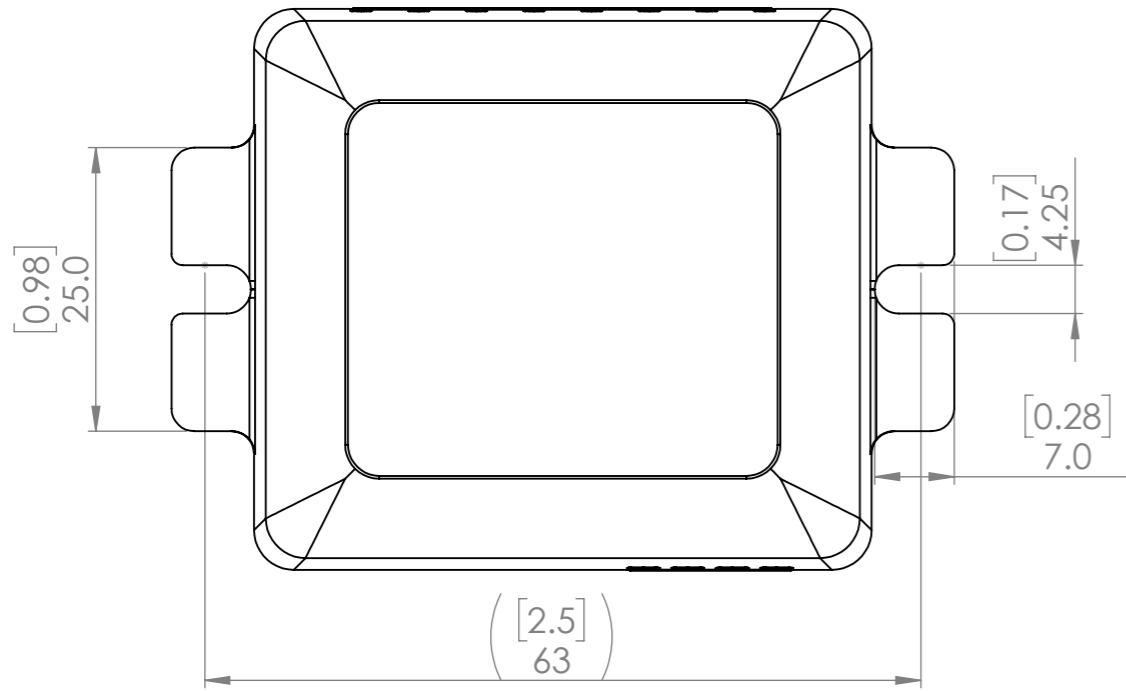


NOTES:

- DRAWING SCALE IS 3:2
- DIMENSIONS ARE [INCHES] AND MILLIMETERS
- M4 SCREWS RECOMMENDED FOR MOUNTING WITH SPACING INDICATED IN ZONE D7



UNLESS OTHERWISE SPECIFIED: DIMENSIONS ARE IN MILLIMETERS SURFACE FINISH: TOLERANCES: LINEAR: ANGULAR:			FINISH:		DEBURR AND BREAK SHARP EDGES		DO NOT SCALE DRAWING		REVISION		
DRAWN			NAME		SIGNATURE		DATE		TITLE: SimplModules Outer Casing		
CHK'D									DWG NO. SM_001		
APPV'D									SCALE:3:2		
MFG									SHEET 1 OF 1		
Q.A							MATERIAL:		A3		
							WEIGHT:				