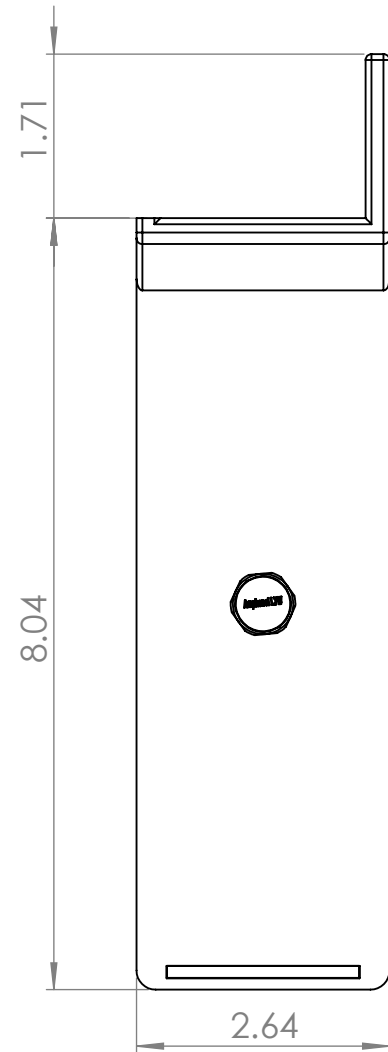
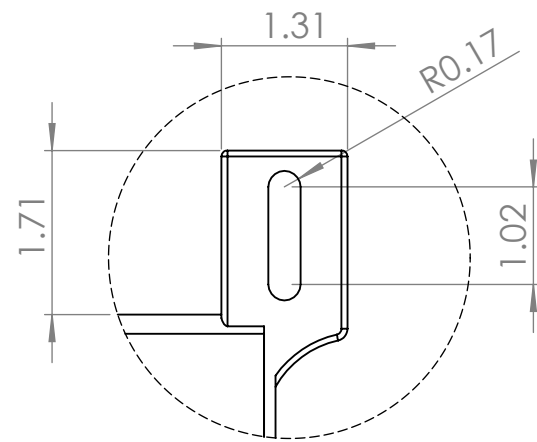


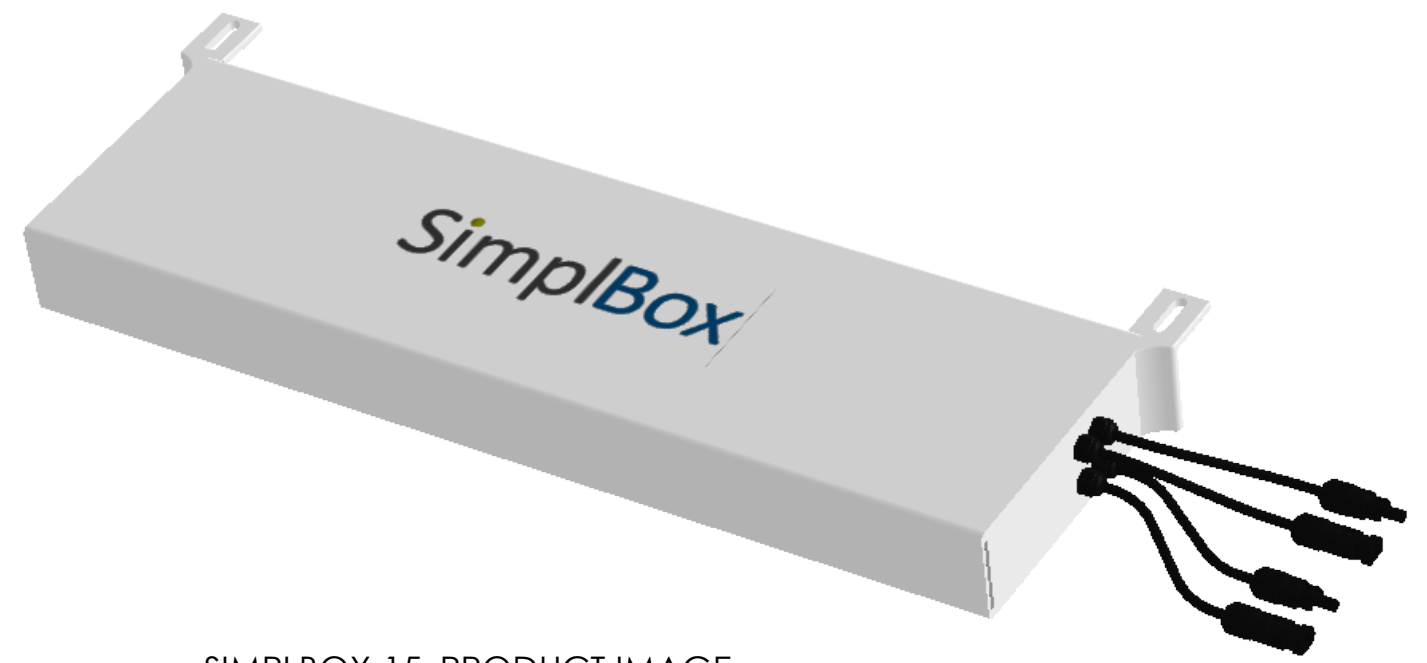
SIMPLBOX-15_TOP VIEW
SCALE: 1:5



SIMPLBOX-15_SIDE VIEW
SCALE: 1:2



SIMPLBOX-15_DETAIL A
SCALE: 1:2



SIMPLBOX-15_PRODUCT IMAGE
SCALE: NTS

PROPRIETARY AND CONFIDENTIAL
THE INFORMATION CONTAINED IN THIS
DRAWING IS THE SOLE PROPERTY OF
SIMPL GLOBAL, INC. ANY REPRODUCTION
IN PART OR AS A WHOLE WITHOUT THE
WRITTEN PERMISSION OF
SIMPL GLOBAL, INC. IS PROHIBITED.

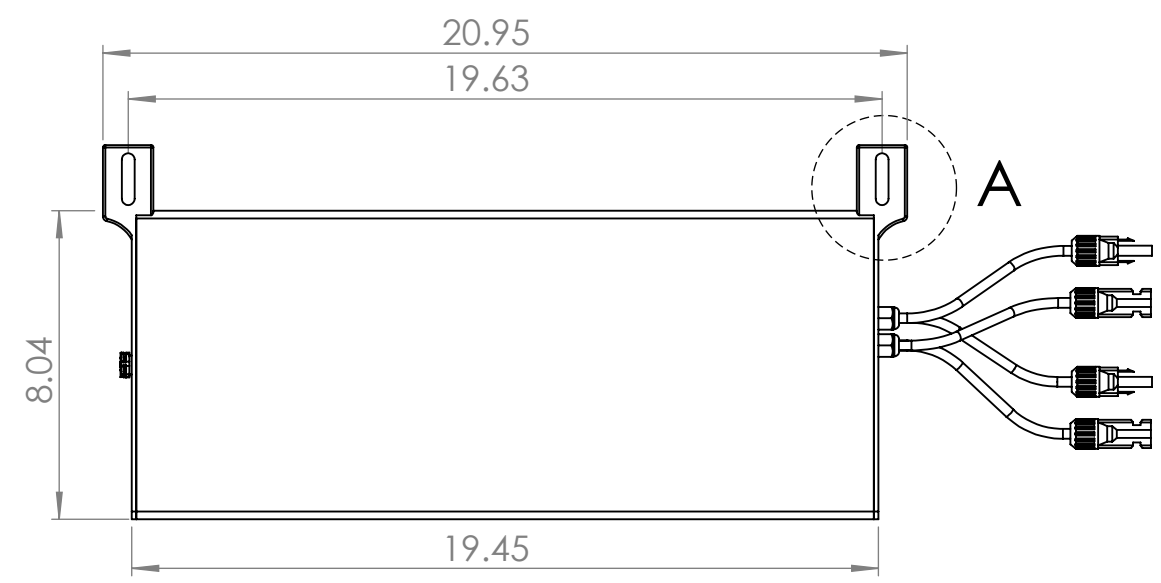
		UNLESS OTHERWISE SPECIFIED:		NAME	DATE
		DIMENSIONS ARE IN INCHES		DRAWN	
		TOLERANCES:		CHECKED	
		FRACTIONAL ±		ENG APPR.	
		ANGULAR: MACH ± BEND ±		MFG APPR.	
		TWO PLACE DECIMAL ±		Q.A.	
		THREE PLACE DECIMAL ±		COMMENTS:	
		INTERPRET GEOMETRIC TOLERANCING PER:			
		MATERIAL			
		FINISH			
NEXT ASSY	USED ON				
APPLICATION		DO NOT SCALE DRAWING			
TITLE: SimplBox-15					
SIZE	DWG. NO.	REV			
B	SB-15_181412	1.0			
SCALE: AS NOTED					SHEET 1 OF 1

4

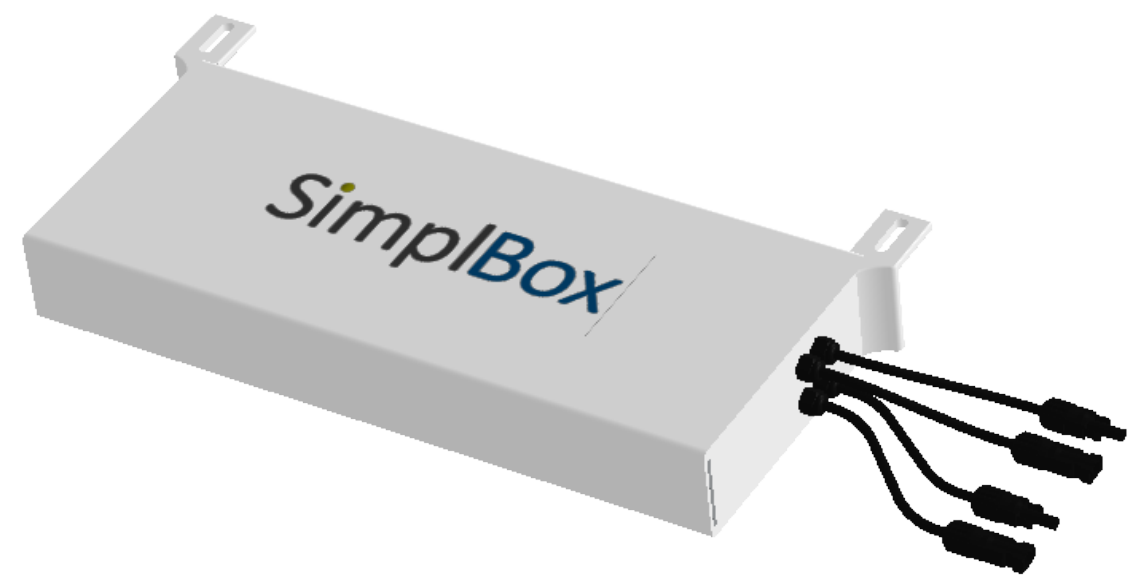
3

2

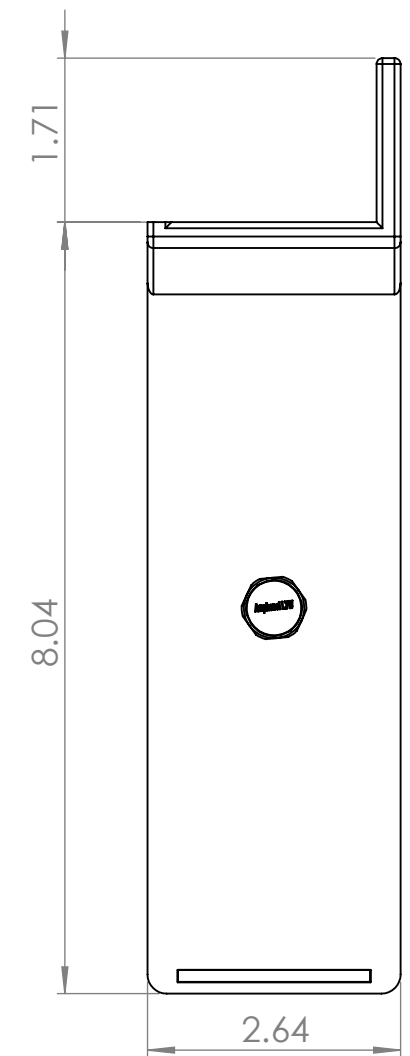
1



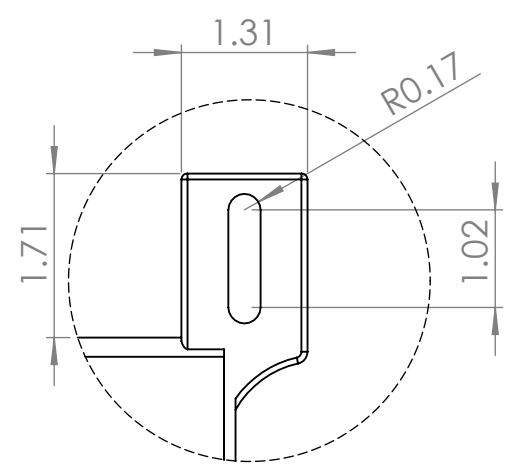
SIMPLBOX-10_TOP VIEW
SCALE: 1:5



SIMPLBOX-10_PRODUCT IMAGE
SCALE: NTS



SIMPLBOX-10_SIDE VIEW
SCALE: 1:2



SIMPLBOX-10_DETAIL A
SCALE: 1:2

PROPRIETARY AND CONFIDENTIAL
THE INFORMATION CONTAINED IN THIS
DRAWING IS THE SOLE PROPERTY OF
SIMPL GLOBAL, INC. ANY REPRODUCTION
IN PART OR AS A WHOLE WITHOUT THE
WRITTEN PERMISSION OF
SIMPL GLOBAL, INC. IS PROHIBITED.

		UNLESS OTHERWISE SPECIFIED:		NAME	DATE		
		DIMENSIONS ARE IN INCHES		DRAWN		TITLE:	
		TOLERANCES:		CHECKED		SimplBox-10	
		FRACTIONAL ±		ENG APPR.		SIZE	DWG. NO.
		ANGULAR: MACH ± BEND ±		MFG APPR.		B	SB-10_181412
		TWO PLACE DECIMAL ±		Q.A.		REV	1.0
		THREE PLACE DECIMAL ±		COMMENTS:		SCALE: AS NOTED	SHEET 1 OF 1
		INTERPRET GEOMETRIC TOLERANCING PER:					
		MATERIAL					
NEXT ASSY	USED ON	FINISH					
APPLICATION		DO NOT SCALE DRAWING					

4

3

2

1

B

B

A

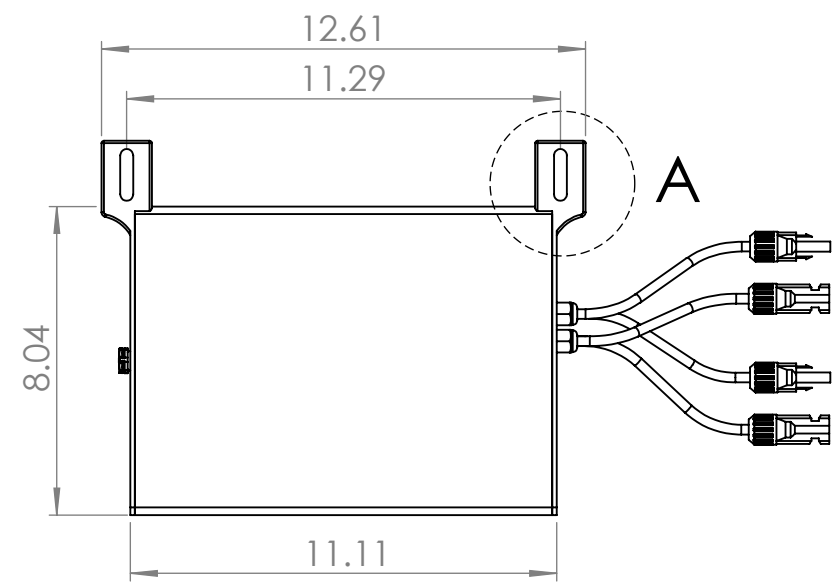
A

4

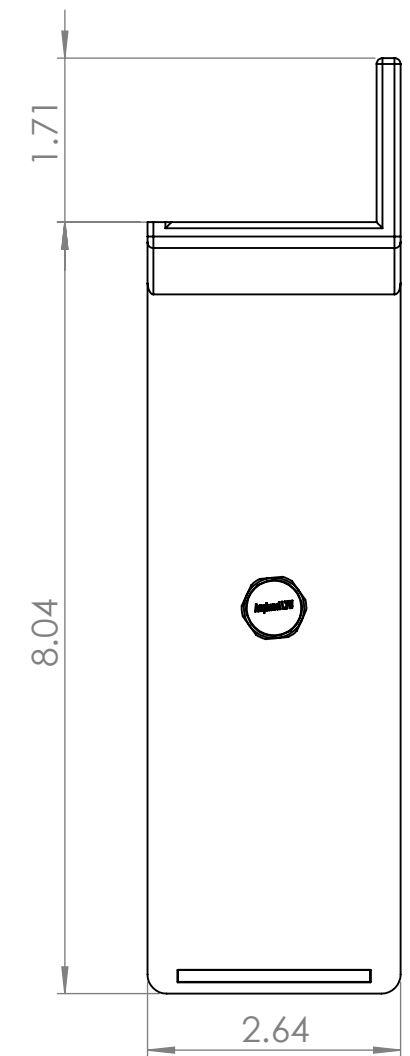
3

2

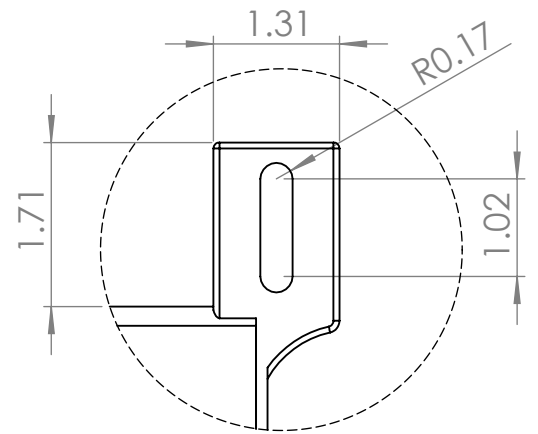
1



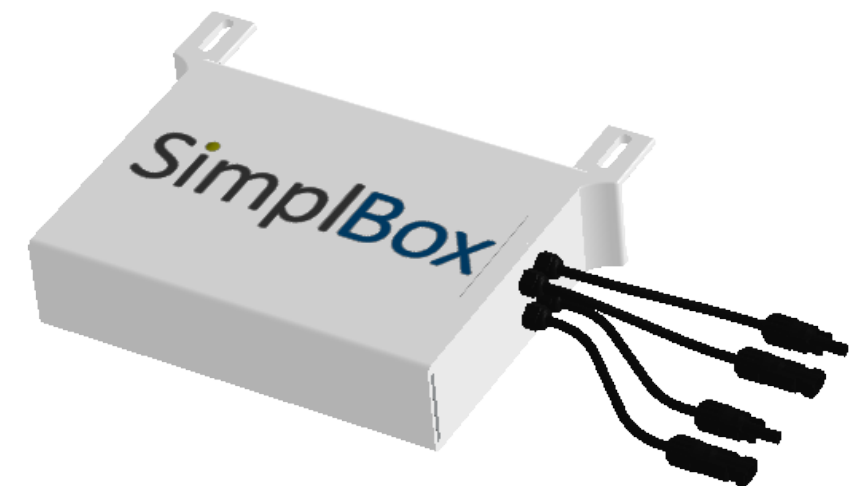
SIMPLBOX-05_TOP VIEW
SCALE: 1:5



SIMPLBOX-05_SIDE VIEW
SCALE: 1:2



SIMPLBOX-05_DETAIL A
SCALE: 1:2



SIMPLBOX-05_PRODUCT IMAGE
SCALE: NTS

PROPRIETARY AND CONFIDENTIAL
THE INFORMATION CONTAINED IN THIS
DRAWING IS THE SOLE PROPERTY OF
SIMPL GLOBAL, INC. ANY REPRODUCTION
IN PART OR AS A WHOLE WITHOUT THE
WRITTEN PERMISSION OF
SIMPL GLOBAL, INC. IS PROHIBITED.

		UNLESS OTHERWISE SPECIFIED:		NAME	DATE		
		DIMENSIONS ARE IN INCHES TOLERANCES: FRACTIONAL ± ANGULAR: MACH ± BEND ± TWO PLACE DECIMAL ± THREE PLACE DECIMAL ±		DRAWN		TITLE: SimplBox-05	
		INTERPRET GEOMETRIC TOLERANCING PER:		CHECKED			
		MATERIAL		ENG APPR.			
NEXT ASSY	USED ON	FINISH		MFG APPR.		SIZE	DWG. NO.
APPLICATION		DO NOT SCALE DRAWING		Q.A.		B	SB-05_181412
				COMMENTS:		REV	1.0
						SCALE: AS NOTED	
						SHEET 1 OF 1	

4

3

2

1

B

B

A

A